

SEPARATION CONVEYORS



CAPABILITIES

- Multiple item deposit by patrons at **ALL** return points attached to system
- Conveyors do not require new book depositories for system install
- Plastic conveyors eliminate radio wave interference caused by metal
- Modular design allows for flexible reconfiguration of conveyors as library needs change
- Minimal maintenance & downtime - parts replaced at piece level

LOCATIONS IN OPERATION

- Appleton Pub. Lib. - WI
- Cedar Rapids Pub. Lib - IA
- Manitowoc Pub. Lib. - WI
- Pueblo City/Cty Lib. Dist - CO
- Ottawa Pub. Lib. - Ontario, Canada

POWER PROFILE

- 1/3 Hp – 1 Hp DC motors
- Quick connect/ disconnect cable connections on all components.
- 208 VAC, 30 Amp, 3 phase with neutral power required on systems

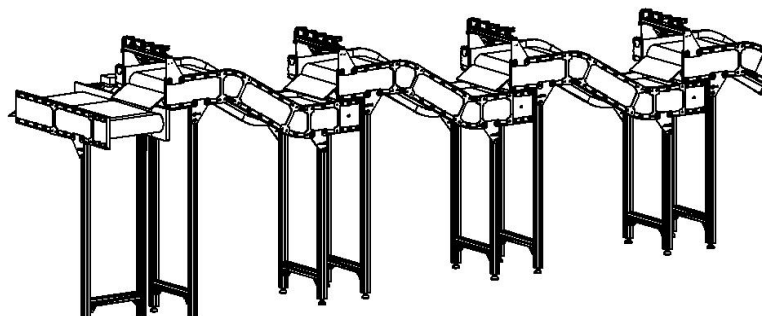
CONVEYOR SPECIFICATIONS

- Conveyor width - 18" standard
- Conveyor width - 24" on induction module in-feed points
- Height & width vary depending upon room dimensions
- Made of plastic modular components of different sizes & orientation.

Incorporating unique conveyance is another distinction from industry integrators. Each conveyor is assembled in a 'Lego®' style manner; module by module, with components that are longer, shorter, straight, curved, a feed beginning or motor end. That capability allows us to flexibly layout conveyors that best fit the circulation room and volume of daily returns. Maintaining this theme, even the belting is constructed of many small pieces that hook together to form one continuous, full width belt. The approach does away with book jams and pinch points. In fact, the modularity allows us to add flights of various heights to separate material as it travels. This feature also affords repairs to be made quickly, at the piece level, and inexpensively. In the end, it's the belt design, use of inclines, splitting up of conveyors, responsive sensors and industrial control logic that allows our AMH systems to function the way they do. No other AMH system in the library industry can accept or induct multiple items at once to accurately check-in, accumulate, separate and sort material as productively.

MODULE Includes:

- Custom designed conveyor layout per library
- (2) industrial multi-channel RFID readers & (8) antenna pads in conveyors
- Staff induction point - does NOT require staff to check-in material one at a time
- Optional Tote or Bin Induction modules may be added at any time



All RFID Library Solution AMH systems are **UL – Certified** and custom designed to meet the unique circulation conditions at each library facility.



RFID Library Solutions

212 3rd Ave N
 Minneapolis, MN 55401
www.rfids.com
 (877) 924-7434